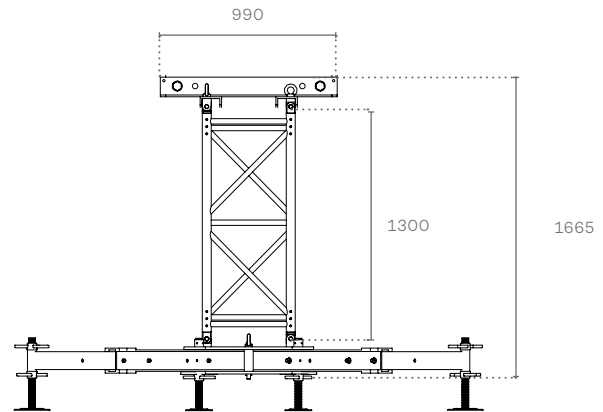
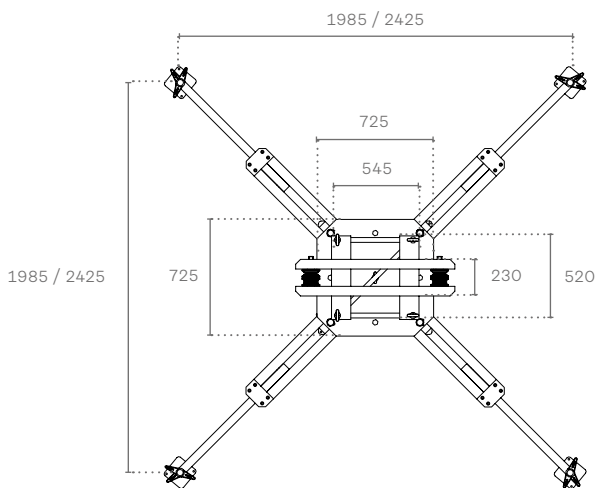


Maxitower 52HD



The Maxitower 52HD is a high performance, high capacity tower for your large and demanding projects. Made from EN AW 6082 T6 aluminium, it has the same dimensions as the Maxitower 52 but features $\varnothing 60 \times 5$ mm main chords for achieving higher load capacities. Thanks to these unchanged dimensions, it's compatible with the standard Maxitower 52 sleeve block.

| | | |
|--|---|--------------------------------|
| Lifting system | → | chain hoist |
| Base module weight with top (excluding sleeve block and legs) | → | 192.5 kg |
| Vertical main truss | → | QL52DA |
| Compatible trusses (with suitable sleeve block) | → | QL52A - RL76A - RL105A - PL105 |
| Base dimensions | → | 73 x 73 cm |
| Volume | → | 0.84 m ³ |





Maxitower 52HD

- Use of beefier $\varnothing 60 \times 5$ mm main chords for increased load bearing
- New, super heavy-duty mechanical safety block
- Same overall dimensions as Maxitower 52
- Compatible with Maxitower 52 standard sleeve block
- Constructed from EN AW 6082 T6 aluminium

Axial load table



| SPAN | F _{am.} | F _{am.} |
|------|------------------|------------------|
| m | kg | kg |
| 1 | 9572 | 9291 |
| 2 | 9542 | 8984 |
| 3 | 9514 | 8673 |
| 4 | 9477 | 8358 |
| 5 | 9435 | 8038 |
| 6 | 9387 | 7715 |
| 7 | 9334 | 7388 |
| 8 | 9275 | 6695 |
| 9 | 9211 | 5221 |
| 10 | 9141 | 4010 |
| 11 | 9067 | |
| 12 | 8986 | |
| 13 | 8900 | |
| 14 | 8809 | |
| 15 | 8712 | |
| 16 | 8186 | |
| 17 | 7315 | |
| 18 | 6514 | |
| 19 | 5776 | |
| 20 | 5094 | |