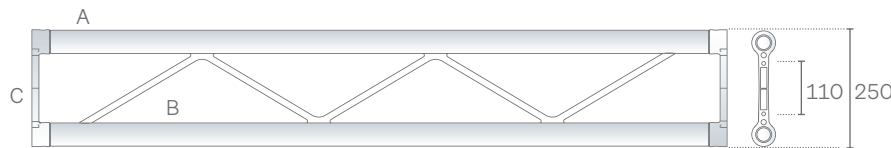


FX25SA

Anti-torsion



Flat section aluminium truss with 25 cm long sides. This is the smallest of our flat, end-plated trusses. Internal diagonal braces are made using 14 mm extruded aluminium, which helps to keep the visual profile of the truss to a minimum. Also suitable for use in tight spaces.



Chords A

Extruded tube $\varnothing 50.8 \times 1.6$ mm
EN AW – 6060 T6

Diagonals B

Extruded tube $\varnothing 14 \times 1.5$ mm
EN AW – 6060 T6

Ends C

Aluminium casting plate
EN AC – 42200 KT6

Connection systems

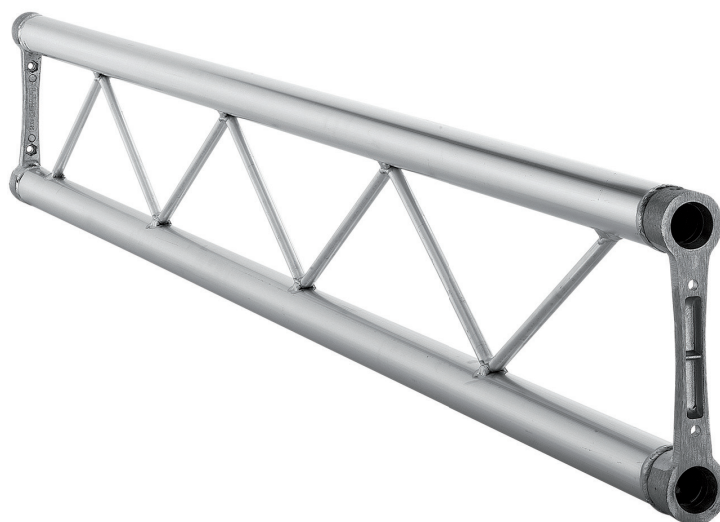
QXFC: quick-fit kit
QXSM8: bolt connection kit

Linear elements

code	cm	kg
FX25SA012M5	25 x 5 x 12.5	0.8
FX25SA025	25 x 5 x 25	1.0
FX25SA050	25 x 5 x 50	1.5
FX25SA100	25 x 5 x 100	2.3
FX25SA150	25 x 5 x 150	3.0
FX25SA200	25 x 5 x 200	3.9
FX25SA250	25 x 5 x 250	4.6
FX25SA300	25 x 5 x 300	5.4
FX25SA350	25 x 5 x 350	6.2
FX25SA400	25 x 5 x 400	7.0

Corners and fittings

code	cm	kg
FX25C2	25 x 5 x 5	1.2
FX25C4	25 x 25 x 5	3.3
FU25K2	25 x 5 x 5	1.3
FU25K4	25 x 25 x 5	3.4
FX25SAACS	25 x 12.5 x 5	1.7
FX25SAL2045P	50 x 50 x 5	2.0
FX25SAL2045V	50 x 50 x 25	3.0
FX25SAL2060P	50 x 50 x 5	2.7
FX25SAL2060V	50 x 50 x 25	3.3
FX25SAL2090P	50 x 50 x 5	1.7
FX25SAL2090V	50 x 50 x 25	1.8
FX25SAL2120P	50 x 50 x 5	1.7
FX25SAL2120V	50 x 50 x 25	1.9
FX25SAL2135P	50 x 50 x 5	2.1
FX25SAL2135V	50 x 50 x 25	1.9
FX25SAL3LP	50 x 50 x 50	2.5
FX25SAL3LV	50 x 50 x 50	2.7
FX25SAL3RP	50 x 50 x 50	2.7
FX25SAL3RV	50 x 50 x 50	2.7
FX25SAT3NP	50 x 50 x 5	2.1
FX25SAT3NV	25 x 50 x 50	2.1
FX25SAT4NP	50 x 50 x 50	3.0
FX25SAT4NV	50 x 50 x 50	2.7
FX25SAX4NP	50 x 50 x 55	2.1
FX25SAX4NV	50 x 50 x 25	2.4
FX25SAAACL	25 x 25 x 5	4.1



Load table / Spigot connection

SPAN	Unif. distributed load			Centre point load			Third point load			Quarter point load			Fifth point load		
	Point load	Full load	Central deflection	Point load	Full load	Central deflection	Point load	Full load	Central deflection	Point load	Full load	Central deflection	Point load	Full load	Central deflection
m	kg/m	kg	mm	kg	kg	mm	kg	kg	mm	kg	kg	mm	kg	kg	mm
1	248	248	0	248	248	0	124	248	0	83	248	0	62	248	0
2	123	246	1	237	237	1	123	246	1	82	246	1	61	246	1
3	81	244	2	126	126	2	94	189	3	63	189	2	52	210	2
4	27	109	3	54	54	2	41	82	3	27	82	3	23	91	3
5	11	53	3	26	26	2	20	40	3	13	40	3	11	44	3
6	4	26	3	13	13	2	10	20	3	7	20	3	5	22	3

Axial load table

H m	Awt kg
2	193
3	85
4	48

Load table has been prepared in accordance with UNI ENV 1999-1-1 (Eurocode 9). When calculating the allowable loads it is assumed that the load is suspended from the bottom chord and the truss is supported from the top chord at each end. The values shown in the table are the allowable static loads that can be applied to the truss. This is the live load or the payload.

The self weight of the truss has been taken into account when calculating the values in the table. It should be noted that this are idealised loading conditions and the User shall re-analyze the truss for the loading conditions which prevail for the application being considered.






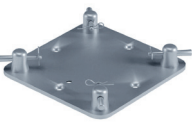
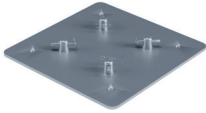
FX25SA System

To further enhance the standard products, Litec offers a wide range of corners, connections and accessories useful for many different applications and needs. "Quick connect" or "nult & bolt connect". End-plated trusses allow to use two different systems of connection. The quick-fit system is certainly the most wide-spread and mainly used when the steucture is frequently assembled and dismantled. In case of permanent installations, on the order hand, a more aconomical bolt connection system may be used. Our plate is made in such a way that bolts may be completely inserted so that there are no edges or external protuberances which could damage canvases or other fabrics or which might simply be unaesthetic on certain structures.





















Connections

				
KSG Extruded tube Ø 50.8x1.6 mm EN AW - 6060 T66	KCP R-spring, set of 100	KSP Steel pin, set of 10	K370 Half truss spigot + 1 steel pin + 1 R-spring (not for Dado)	KSF Threaded pin, set of 12
				
QXFC Quick connection set	QUKFC 4 special steel half pigots with screws for Heavy Duty Dado set of 100	QXSM8 Bolt connection set for 25 series	QXCFC 4 special steel half spigots with screws for Light Duty Dado	



Accessories

				
FX25SAACL ST 25 cm. flat - Clamp module long	FX25SAACS ST 25 cm. flat - Clamp module short	TZ30K01 Assembly tool for half-spigot in 25 & 29cm side trusses with Heavy Duty Dado	TZ30C01 Assembly tool for half-spigot in 25 & 29cm side trusses with Light Duty Dado	CL2D50 Transport clip. Plastic casting for truss stack- ing. Fits 48 - 51 mm tube
				
FP25 Universal 25 cm truss floor plate (25x25 cm)	FP25M Universal 25 cm truss floor plate (50x50 cm)			



Dados, Corners & fittings

				
FX25SAL2045P ST 25 cm. flat - 2 way 45° corner horizontal	FX25SAL2045V ST 25 cm. flat - 2 way 45° corner vertical	FX25SAL2060P ST 25 cm. flat - 2 way 60° corner horizontal	FX25SAL2060V ST 25 cm. flat - 2 way 60° corner vertical	FX25SAL2090P ST 25 cm. flat - 2 way 90° corner horizontal
				
FX25SAL2090V ST 25 cm. flat - 2 way 90° corner vertical	FX25SAL2120P ST 25 cm. flat - 2 way 120° corner horizontal	FX25SAL2120V ST 25 cm. flat - 2 way 120° corner vertical	FX25SAL2135P ST 25 cm. flat - 2 way 135° corner horizontal	FX25SAL2135V ST 25 cm. flat - 2 way 135° corner vertical
				
FX25SAL3LP ST 25 cm. flat - 3 way corner left horizontal	FX25SAL3RP ST 25 cm. flat - 3 way corner left vertical	FX25SAL3LV ST 25 cm. flat - 3 way corner right horizontal	FX25SAL3RV ST 25 cm. flat - 3 way corner right vertical	FX25SAT3NP ST 25 cm. flat - 3 way tee horizontal
				
FX25SAT3NV ST 25 cm. flat - 3 way tee vertical	FX25SAT4NP ST 25 cm. flat - 4 way tee horizontal	FX25SAT4NV ST 25 cm. flat - 4 way tee vertical	FX25SAX4NP ST 29 cm. flat - 4 way cross horizontal	FX25SAX4NV ST 29 cm. flat - 4 way cross vertical

Light duty Dado

	
FX25C2 DADO 4 way flat corner (2 nodules) C2 is the DADO version for flat section	FX25C4 DADO 6 way flat corner (4 nodules) C4 is the DADO version for square and flat section structures

Heavy duty Dado

	
FU25K2 DADO 4 way flat corner (2 nodules) K2 is the HD DADO version for flat version	FU25K4 DADO 6 way flat corner (4 nodules) K4 is the HD DADO version for square and flat section structures