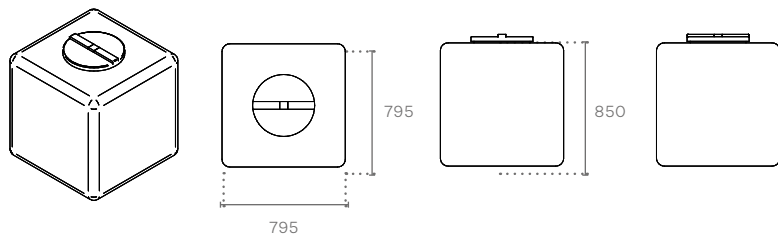
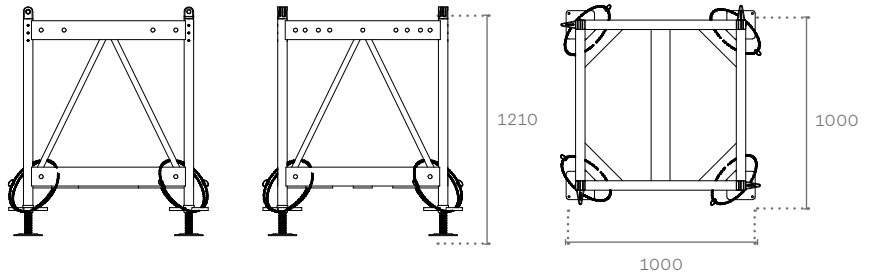
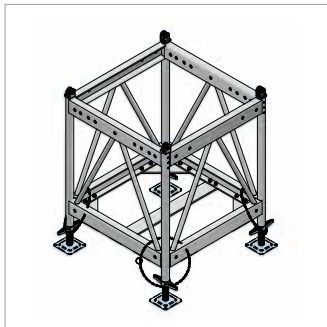


Aluminium Ballast Systems with adjustable feet

Structures are constructed out of aluminium, a light weight material which from a cost perspective remains very stable over time. The dimensions of this ballast system are 1 x 1 x 1.2 m. The tank, which can hold up to 500 litres of water, is filled at the top by hose and emptied through a bung in the bottom.



Dimensions



Accessories



Water tank



Connection kit



Tower connection for steel