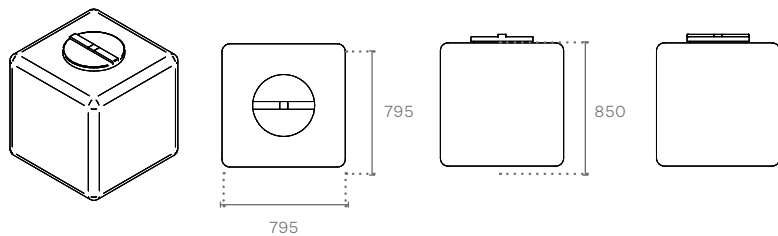
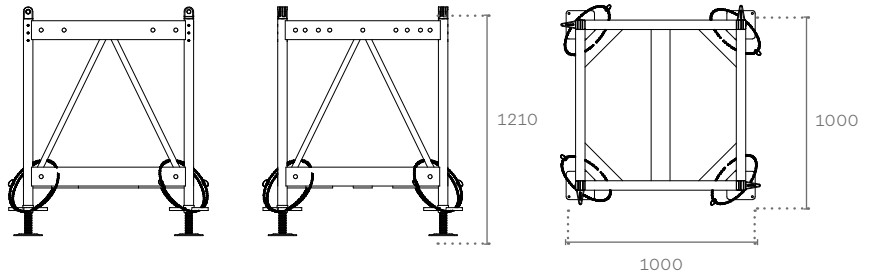
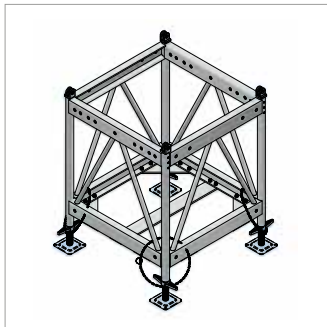


## Steel Ballast Systems with adjustable feet

They are solidly built, and easy to assemble and dismantle. Staging often requires static weight to counteract forces and these systems are a very good answer. While the standard ballast for large events is water in tanks, for a small rig tanks can be filled with sand or other materials.

### Dimensions



### Accessories



Water tank



Connection kit



Tower connection for steel