

E Series

P Series trusses are designed with main tubes (50 x 2 mm) and diagonals (20 x 2 mm), and use conical connectors. They are compact and strong, and represent the perfect solution for fixed installations and the exhibition industry.

The series also includes rings and corners.



LINEAR ELEMENTS

code	cm	kg
QC30E050	29x29x50	4.0
QC30E100	29x29x100	5.9
QC30E200	29x29x200	11.8
QC30E300	29x29x300	17.7

Chords **A**: extruded tube \varnothing 50x2 mm
 EN AW 6082 T6

Diagonals **B**: extruded tube \varnothing 20x2 mm
 EN AW 6082 T6

Fast conical connection system.

LOAD TABLE

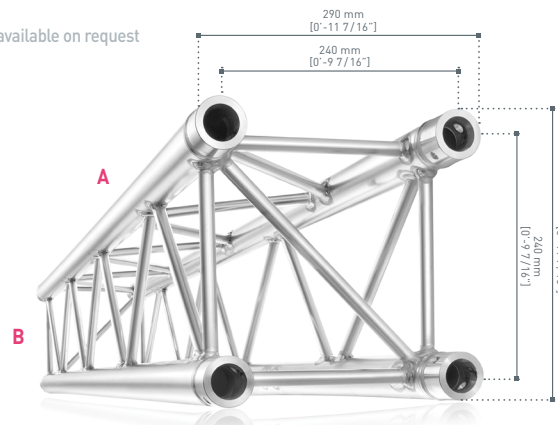
SPAN m	UNIF. DISTRIBUTED LOAD	CENTRE POINT LOAD	THIRD POINT LOAD
	point load kg/m	point load kg/m	point load kg/m
4	426	1171	852
6	257	771	578
8	142	568	426
10	89	444	333
12	60	359	269
14	42	297	222
16	31	248	186
18	23	210	157
20	18	177	133

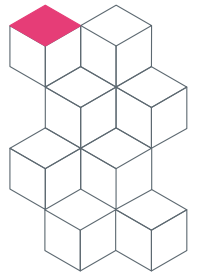
Load table has been prepared in accordance with DIN4113 and DIN18800. When calculating the allowable loads it is assumed that the load is suspended from the bottom chord and the truss is supported from the top chord at each end.

The values shown in the table are the allowable static loads that can be applied to the truss. This is the live load or the payload.

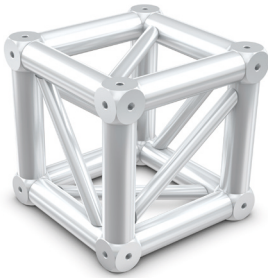
The self-weight of the truss has been taken into account when calculating the values in the table. It should be noted that this are idealized loading conditions and the User shall re-analyze the truss for the loading conditions which prevail for the application being considered.

Notice: Black powder coating available on request

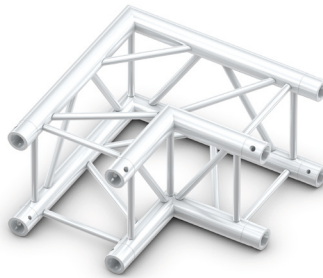




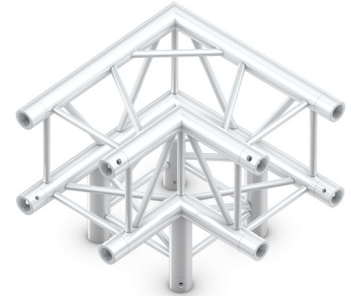
E Series Corners & Accessories



QC30K8
 SIX-WAY DADO



QC30EL2090
 90° TWO-WAY CORNER



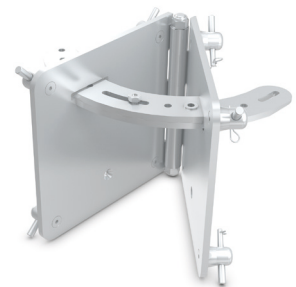
QC30EL3
 90° THREE-WAY CORNER



QC30ET3
 THREE-WAY T CORNER



FPC30E
 UNIVERSAL TRUSS FLOOR PLATE - 30 CM



QC30PL2ADJ
 ADJUSTABLE TWO-WAY CORNER

Connection Systems

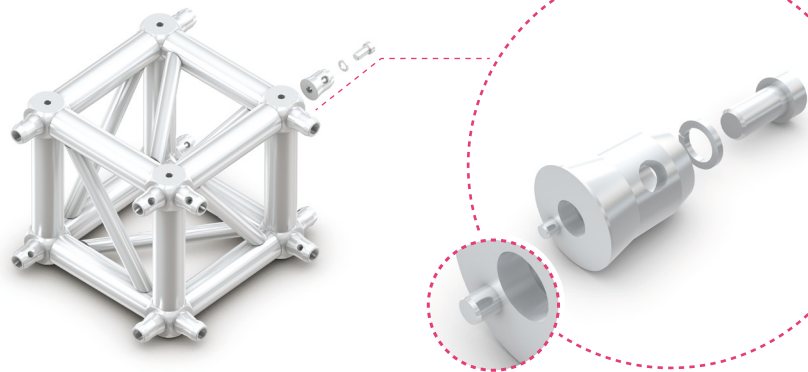
TRUSS CONNECTORS



QCFC
 QUICK CONNECTION SET - 4 PIECES

Notice: Trusses do not include set of connectors/pins/clips

MALE CONNECTOR FITTING FOR DADO



QCEKFC
 DADO CONNECTION SET - 4 PIECES

Notice: DADOS do not include set of connectors/pins/clips. Quantity depends on project specification

EASY ATTACHMENT TO MATCH TRUSS PIN ORIENTATION