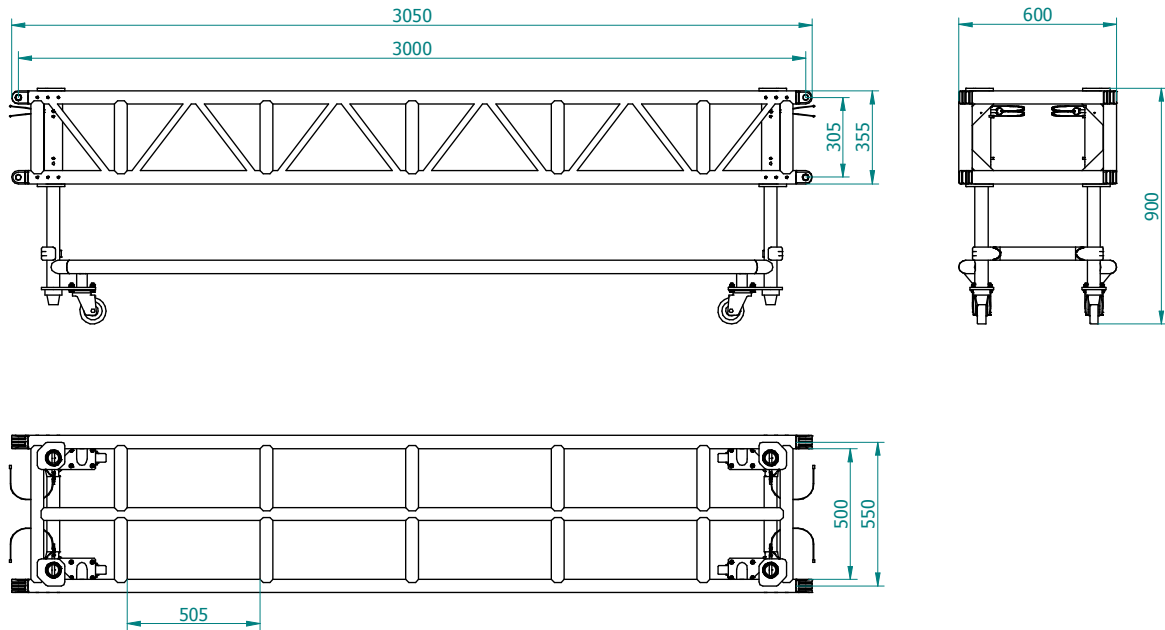


Date of issue:
2013

PR60235 PRERIG TRUSS SYSTEM
TECHNICAL DATA



Description	Specification
External dimensions (height x width)	355 mm x 600 mm
Distance between axis	305 mm x 550 mm
Lengthways tubes	Extruded aluminium EN AW-6082 T6 – Ø50x4 mm
Crossways tubes	Extruded aluminium EN AW-6082 T6 – Ø25,4x3,17 mm
Connecting Fork	Aluminium EN-AW 6082 T6
Welding process	TIG (UNI3834 / DIN4113)
Available length [cm]	235 - 300
Self Weight [kg] – module length 300 cm	75,9

THE FOLLOWING LOAD TABLE HAS TO BE CONSIDERED AS PRELIMINARY INFORMATION

Permissible Load Table on single span

Span	UDL	Defl.	CPL	Defl.	TPL	Defl.	QPL	Defl.
[m]	[kg/m]	[cm]	[kg]	[cm]	[kg]	[cm]	[kg]	[cm]
3	956	8	731	3	960	6	780	7
6	496	31	1624	25	1002	23	651	22
9	195	52	640	30	750	51	528	54
12	85	70	677	65	408	70	290	69
15	38	86	381	85	229	84	159	85
18	15	105	208	100	125	105	115	100

Load table has been prepared in accordance with EN standards. You can find in the catalogue the available dimensions of the trusses and the respective weights. These technical data are valid only for structures entirely assembled with Litec materials.

Section:
End Forked

www.litectruss.com - info@litectruss.com

Line:
PR