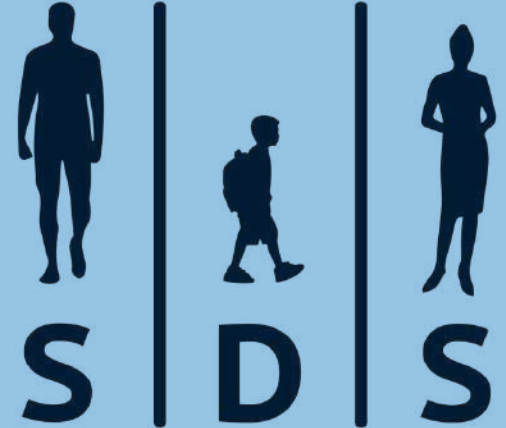


**SDS AIR SYSTEM  
AIR DISINFECTION  
PURIFIER  
MACHINE**



**S**OCIAL  
**D**ISTANCING  
**S**OLUTIONS

# SDS AIR – Air Disinfection/Purifier System

UV-C low-pressure discharge lamps emit short-wave ultraviolet radiation. They are very environmentally friendly, and they are a great alternative to chemical cleaners.

Their radiation effectively destroys cells and it is perfect for high effective cleaning of water, air and surfaces while eliminating the necessity to use chemical cleaners.

UV-C radiation has photolytic effect on the DNA of microorganisms like bacteria, molds, yeasts and viruses causing them to be incapable to replicate.

Cleaning effect is achieved by light of a wavelength under 320 nm, with optimal effect at 260 nm.

HNS germicidal discharge lamps emit UV light with a wavelength of 254 nm – that is approx.

85% of the optimal effect and are ozone free.

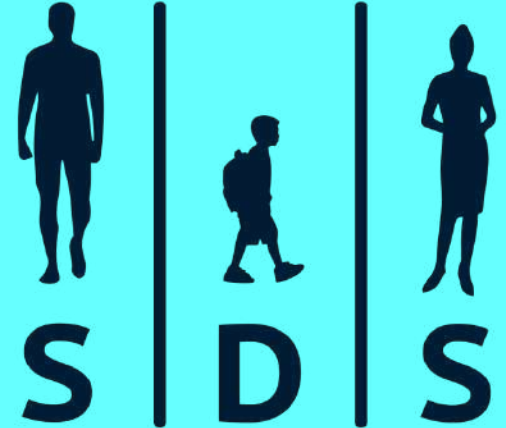
Main lines of the mercury discharge spectrum appear at 254 nm and 185 nm.

Ultraviolet light with lower wavelength below 240 nm creates ozone.

Discharge lamp housing is made of fused quartz, which eliminates radiation below 240 nm.

The discharge lamp emits radiation, which destroys microorganisms, but does not leak radiation that generates ozone.

# SDS AIR AIR DISINFECTION PURIFIER SYSTEM



**S**OCIAL  
**D**ISTANCING  
**S**OLUTIONS

# SDS AIR 2X24 – Air Disinfection/Purifier Machine

## Main Features

- Disinfection Technology based on UV Type C ultraviolet lamps;
- The UV rays are capable of destroying the DNA/RNA of micro bio-organisms like bacteria, fungi, yeasts and viruses, including the COVID 19 CORONAVIRUS!. While preventing replication, hence are known as disinfectants.
- Closed-type device suitable for public places with frequent movement of persons;
- Incredibly low noise due to its special fan **20 dB**;
- Airflow for faster air purification: **57m<sup>3</sup>/hours**;
- 2x filter prevents from UV discharge lamp soiling, provides additional air purification, and prevents from UV radiation leakage;
- LED status, service, and the need of UV discharge lamp replacement notification;
- Multi-functional consoles that allow wall-mounting or desktop use;
- Safety pin that automatically turns off the device when the cover is opened when replacing the exhausted lamps;



# SDS AIR 2X24 – Air Disinfection/Purifier Machine

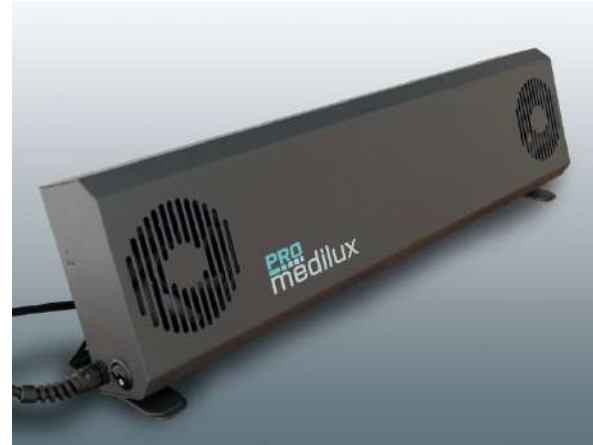
## Performances & Benefits

### Device purification coverage for ceiling heights of 2,5m:

- Purified air ONCE in 60 minutes: **23 sqm / 57 m<sup>3</sup>**
- Purified air ONCE in 2 hours: **46 sqm / 115 m<sup>3</sup>**
- Purified air ONCE in 4 hours: **92 sqm / 230 m<sup>3</sup>**
- Purified air ONCE in 8 hours: **183 sqm / 457 m<sup>3</sup>**

### Device benefits:

- Long lifetime & powerful, compact emitter;
- Minimalistic design;
- Durable metal construction;
- Easy replacement of discharge lamps (after their lifetime);
- Fan error detection;
- Discharge lamp failure detection;
- Lifetime of the discharge lamp monitoring;



# SDS AIR 2X24 – Air Disinfection/Purifier Machine

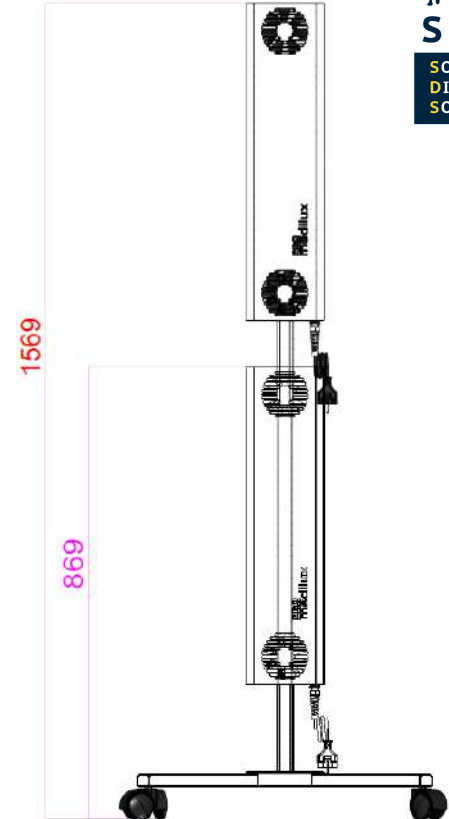
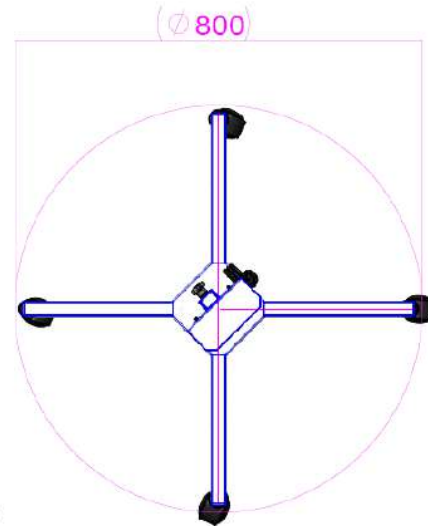
## Technical Specifications

- Dimensions: 600 x 150 x 70 mm; Weight: 3.9kg;
- Colors: Light Grey RAL7035 and Black RAL9005 MET;
- Operation voltage: 230 VAC/50 Hz; UniSchuko plug connector / EU Terminal;
- Input power: **55W** in active mode with a stand-by mode of just **1 W**;
- Airflow: **57m<sup>3</sup>/hours** deliver a noise level **20 dB**;
- Types of lamps that can be used in the SDS AIR 2X24:
  - OSRAM Puritec L 24W (2 pieces)
  - PHILIPS TUV PLL 212485 24W (2 pieces)
  - or compatible type;
- Discharge lamp lifetime: 8000 hours;
- Ozone Free Operation;



# SDS AIR 2X24 – Air Disinfection/Purifier Machine Stand with Wheels - Technical Specifications

- Dimensions: 800 mm. base x 1300 mm. height; Weight: 4.8kg;
- Height Adjustable from 869 to 1569 mm.;
- Available in two colors WHITE RAL 7035 & BLACK RAL 9005 MET;



**SDS AIR 4X55  
AIR DISINFECTION  
PURIFIER  
MACHINE**



**SOCIAL  
DISTANCING  
SOLUTIONS**



# SDS AIR 4X55 – Air Disinfection/Purifier Machine

## Main Features

- Disinfection Technology based on UV Type C ultraviolet lamps;
- The UV rays are capable of destroying the DNA/RNA of micro bio-organisms like bacteria, fungi, yeasts and viruses, including the COVID 19 CORONAVIRUS!. While preventing replication, hence are known as disinfectants.
- Closed-type device suitable for public places with frequent movement of persons;
- It is possible to choose among two configurations, depending from the area to purify & disinfect:
  - ORDER CODE: **LT XSD-P4X24W** - Noise level **40 dB** with an airflow of **150m<sup>3</sup>/hours**;
  - ORDER CODE: **LT XSD-P4X24WHO** - Noise level **70 dB** with an airflow of **310m<sup>3</sup>/hours**;
- 2x filter prevents from UV discharge lamp soiling, provides additional air purification, and prevents from UV radiation leakage;
- LED status, service, and the need of UV discharge lamp replacement notification;
- Safety pin that automatically turns off the device when the cover is opened when replacing the exhausted lamps;



# SDS AIR 4X55 – Air Disinfection/Purifier Machine

## Technical Specifications

- Dimensions: 995 x 204 mm; Weight: 15.2kg;
- Color finishing available:  
Light Grey RAL7035 and Black RAL9005 MET;
- Operation voltage: 230 VAC/50 Hz; UniSchuko  
plug connector / EU Terminal;
- Input power: **230W/50Hz** in active mode with a  
stand-by mode of just **1 W**;
- Equipped with lifting eye for ceiling use;
- Discharge lamp lifetime: 8000 hours;
- Protection IP20
- Ozone Free Operation;
- UV-C emitter: 4 x PL-L 55W 2G11 tube
- Working environment according to IEC 60364-5-51: AB5;
  - indoor environment with a temperature of 5 – 40 °C;
  - absolute humidity 1 – 25 g/m3;
  - relative humidity 5 – 85%;

