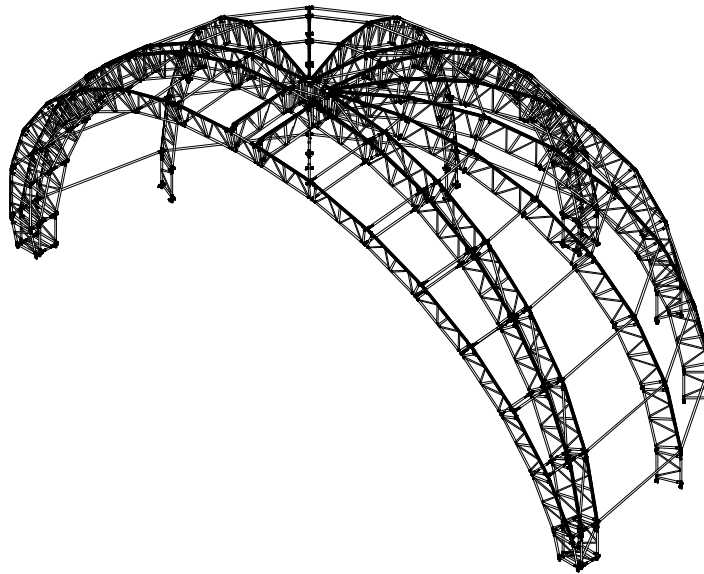
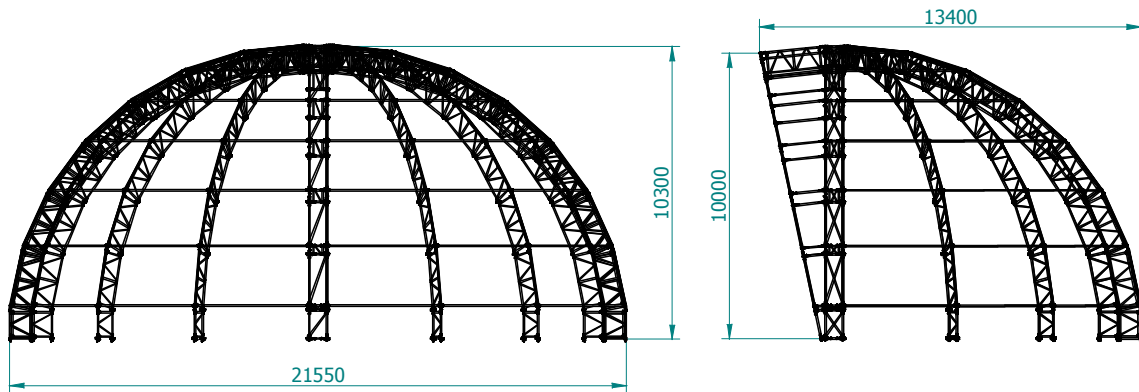


Date of issue:  
2012

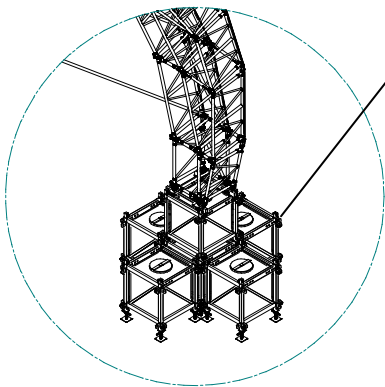
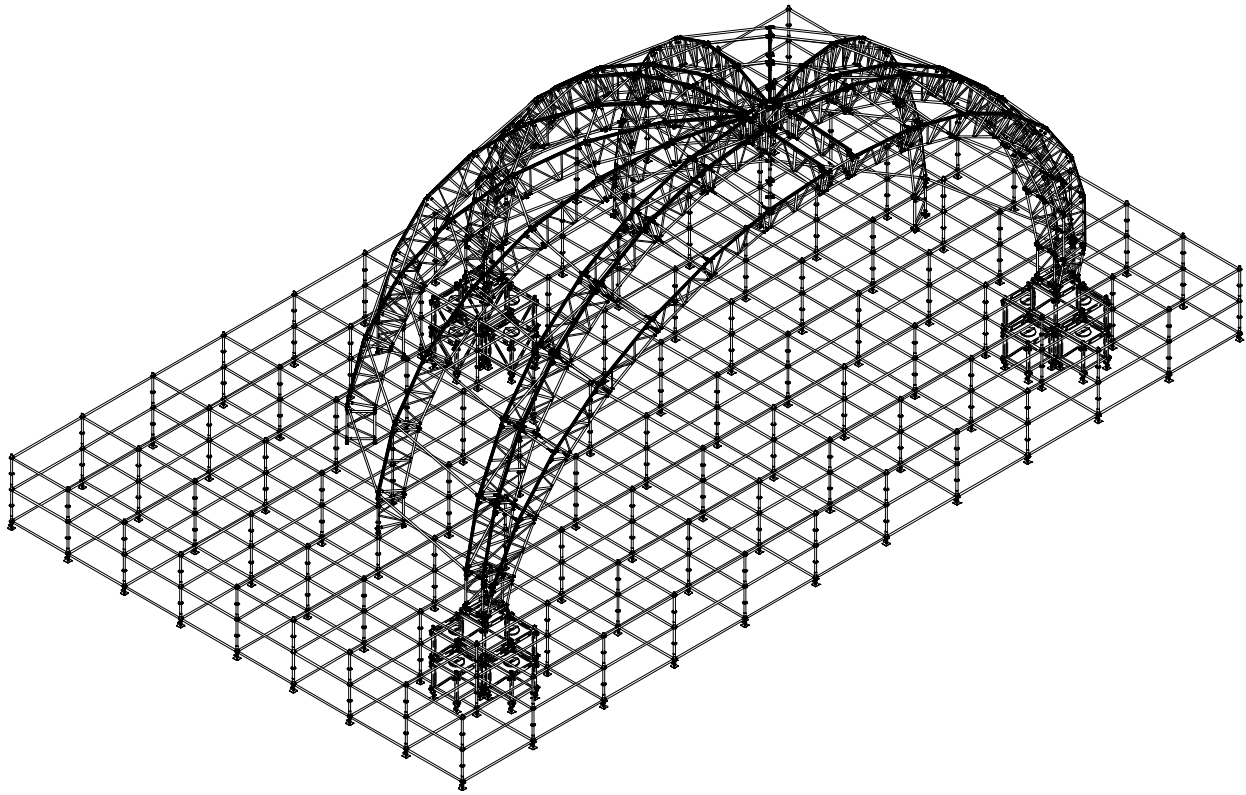
# ALUSFERA 2 TECHNICAL DATA



Description	Specification
Roof Structure	Libera 76 assembly
Loading capacity (UDL)	3500 kg
Total weight (without canopy)	3700 kg
Documents	Calculation report, Operation Manual

Date of issue:  
2012

# ALUSFERA 2 TECHNICAL DATA



New Modular Ballast System

Date of issue:  
2012

## ALUSFERA 2 TECHNICAL DATA



Code	Description	Alusfera	Alusfera 2
FL76100V	HL76 FLAT TRUSS L=100cm FV	11	11
FL76200R	HL76 FLAT TRUSS L=200cm ST	77	77
FL76047V	HL76 FLAT TRUSS L=047cm FV	18	18
FL76R-ALU	HL76 FLAT TR.W/RAIL F/ALUSFERA	1	-
FL76CS09ALU	HL76 SUMMIT FOR ALUSFERA	1	-
KRLF	ROUND FORK FEMALE M20+WASHER	100	100
KRLM	ROUND FORK MALE M20+WASHER	100	100
KHLP	PIN 20x65 +R-CLIP 3mm	500	500
KHLD	NUT M20+WASHER	40	40
KHLB	BOLT M20X70+WASHER	40	40
KHLF	FORK FEMALE M20+WASHER	130	130
KHLM	STEEL MALE FORK M20 + WASHER	95	95
RAF375M4R	TUBE W/ROUND FORKS L=375,4cm	7	7
RAF350	TUBE W/FORKS L=350cm	7	7
RAF340M5R	TUBE W/ROUND FORKS L=340,5cm	7	7
RAF318M1	TUBE W/FORKS L=318,1cm	7	7
RAF227M6R	TUBE W/ROUND FORKS L=227,6cm	7	7
RAF213M8	TUBE W/FORKS L=213,8cm	7	7
RAF154M5R	TUBE W/ROUND FORKS L=154,5cm	7	7
RAF146	TUBE W/FORKS L=146cm	7	7
RAF074M4R	TUBE W/ROUND FORKS L=074,4cm	7	7
RAF071M7	TUBE W/FORKS L=071,7cm	7	7
RAF394M2R	TUBE W/ROUND FORKS L=394,2cm	7	7
RAF366M4	TUBE W/FORKS L=366,4cm	7	7
RAF290M5R	TUBE W/ROUND FORKS L=290,5cm	7	7
RAF272	TUBE W/FORKS L=272cm	7	7
FL76T971832V	HL76 TRPZ FLAT TR. L=971/832cm	16	16
KHL180AL149R	DOUBLE FORK AL. 180c L=149,5 R	77	77
DSUPL019000	DOPPIA FORCA ALL. 180c L=120mm	11	11
FL76200V	HL76 FLAT TRUSS L=200cm FV	8	8
RAF375M4J	TUBE W/FORKS "1 ADJ."L=375,4cm	1	1
RAF350J	TUBE W/FORKS "1 ADJ." L=350cm	1	1
RAF340M5J	TUBE W/FORKS "1 ADJ."L=340,5cm	1	1
RAF318M1J	TUBE W/FORKS "1 ADJ."L=318,1cm	1	1
RAF227M6J	TUBE W/FORKS "1 ADJ."L=227,6cm	1	1
RAF213M8J	TUBE W/FORKS "1 ADJ."L=213,8cm	1	1
RAF154M5J	TUBE W/FORKS "1 ADJ."L=154,5cm	1	1
RAF146J	TUBE W/FORKS "1 ADJ." L=146cm	1	1
RAF074M4J	TUBE W/FORKS "1 ADJ."L=074,4cm	1	1
RAF071M7J	TUBE W/FORKS "1 ADJ."L=071,7cm	1	1
RAF394M2J	TUBE W/FORKS "1 ADJ."L=394,2cm	1	1
RAF366M4J	TUBE W/FORKS "1 ADJ."L=366,4cm	1	1
RAF290M5J	TUBE W/FORKS "1 ADJ."L=290,5cm	1	1
RAF272J	TUBE W/FORKS "1 ADJ." L=272cm	1	1
TZHL01	INSTALLATION TOOLS XFL76 TRUSS	4	4
FL76FP	HL76 STAGE FLOOR PLATE	11	6
RAH195M3	TUBE W/HOOKS L=195,3cm	14	14
RAH105	TUBE W/HOOKS L=105cm	2	2

Date of issue:  
2012

## ALUSFERA 2 TECHNICAL DATA



Code	Description	Alusfera	Alusfera 2
FL76100V	HL76 FLAT TRUSS L=100cm FV	-	1
FL76200R	HL76 FLAT TRUSS L=200cm ST	-	7
KHL180AL149R	DOUBLE FORK AL. 180ç L=149,5 R	-	7
KRLF	ROUND FORK FEMALE M20+WASHER	-	16
KRLM	ROUND FORK MALE M20+WASHER	-	16
KHLP	PIN 20x65 +R-CLIP 3mm	-	39
RAH195M3	TUBE W/HOOKS L=195,3cm	-	7
RAH105	TUBE W/HOOKS L=105cm	-	1
FL76047V	HL76 FLAT TRUSS L=047cm FV	-	8
9-SASSL-222	PR.COLMO COMP. ALUSF. 2^VERS.	-	1
FL76100V	HL76 FLAT TRUSS L=100cm FV	-	2
FL76200R	HL76 FLAT TRUSS L=200cm ST	-	14
KHL180AL149R	DOUBLE FORK AL. 180ç L=149,5 R	-	14
9-SASSL-216	PR. FLAT FL76 L=1007mm SP	-	1
DSUPL018S09	DOPP.FORCA ACC. 90ç L=120mm SX	-	24
KRLF	ROUND FORK FEMALE M20+WASHER	-	36
KRLM	ROUND FORK MALE M20+WASHER	-	36
KHLP	PIN 20x65 +R-CLIP 3mm	-	36
DSUPL019S09	DOPPIA FORCA ACC. 180ç L=120mm	-	2
FL76200R	HL76 FLAT TRUSS L=200cm ST	-	2
9-DSUPL-038	PROT.FORCA "Z" ACC. 50x50x74,8	-	4
9-RAFL-009	PR TUBO CON FORCHE L=210,7cm	-	2
9-RAFL-010	PR TUBO CON FORCHE L=195,8cm	-	2
9-RAFL-011	PR TUBO CON FORCHE L=197,3cm	-	2
9-RAFL-012	PR TUBO CON FORCHE L=183,1cm	-	2
9-RAFL-013	PR TUBO CON FORCHE L=175,2cm	-	2
9-RAFL-014	PR TUBO CON FORCHE L=162,2cm	-	2
9-RAFL-015	PR TUBO CON FORCHE L=145,4cm	-	2
9-RAFL-016	PR TUBO CON FORCHE L=134,3cm	-	2
9-RAFL-017	PR TUBO CON FORCHE L=109,2cm	-	2
9-RAFL-018	PR TUBO CON FORCHE L=100,3cm	-	2
9-RAFL-019	PR TUBO CON FORCHE L=681cm	-	2
9-RAFL-020	PR TUBO CON FORCHE L=620cm	-	2
9-RAFL-021	PR TUBO CON FORCHE L=241cm	-	2
9-RAFL-022	PR TUBO CON FORCHE L=209cm	-	2
KHLP	PIN 20x65 +R-CLIP 3mm	-	68
9-RAH210	TUBE W/HOOKS L=210cm	-	4
RAL047	ALU TUBE 50x4x470mm	4	6
RGBR23502G	BELT RACHET 2t 35mm / EWL-2m	44	52
HALU76D21W	"1çM" AL76 PVC TRNG COVER WHT	8	8
HALU76U21W	"1çM" AL76 PVC UPRIGHT COV.WHT	2	3
HALU76T21W	"1çM" AL76 PVC TOP COVER WHITE	1	1
HTUBE200J	JOINT TUBE F/PVC BORD. L=200cm	8	8
HTUBE200	TUBE F/PVC BORDER L=200cm	8	8
999	CANTILEVER COVER	-	1
999RAL	RAL FOR CANTILEVER COVER	-	2