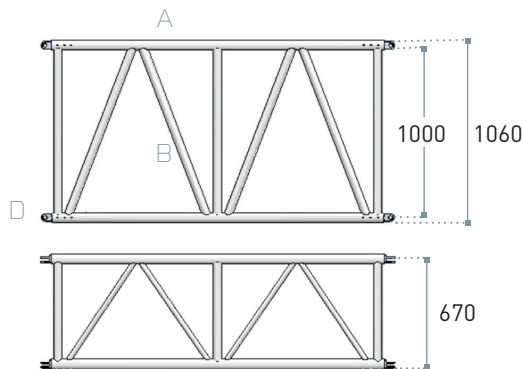




## RL105A ANTI-TORSION

Rectangular section High Load aluminium truss with 105x67 cm long sides.

It is intended for uses that require elevated loads on large spans. The steel fork connection bestows sturdiness and wear resistance to the system. It is designed and tested according to the most widespread international standards.



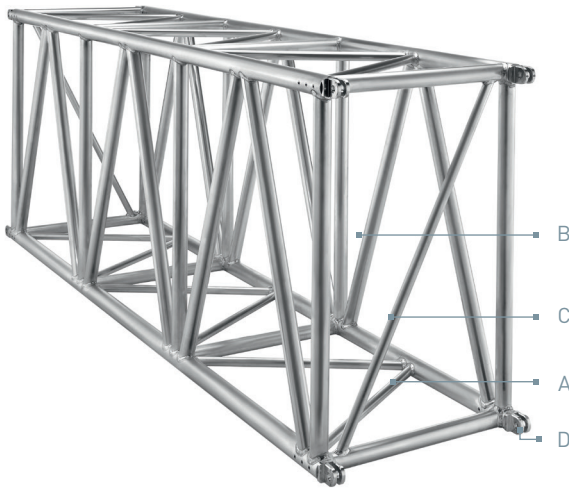
Chords A:	extruded tube Ø 60x5 mm	EN AW 6082 T6
Diagonals B:	extruded tube Ø 50x3 mm	EN AW 6082 T6
Braces C:	extruded tube Ø 50x4 mm	EN AW 6082 T6
Ends D:	steel forks connector	11SMnPb37
Connection system KHLP:	cylindrical pin + safety R-clip	

LINEAR ELEMENTS		
code	cm	kg
RL105100A	106x67x100	41.5
RL105200A	106x67x200	62.5
RL105300A	106x67x300	83.5

GATES AND ACCESSORIES		
code		kg
KHLPZ1	Cylindrical pin + safety R-clip	0.2
C067RL	Pick up bar RL 105	9.9
RL105TT	RL 105 skate set - 2 pcs	7.5 <small>On demand</small>

GATES AND ACCESSORIES		
code		kg
RL 105X4	HL 105 rectangular 4 ways corner	75.2
MTS 52K02	Wheel set for sleeve block Set of 8 pcs	19.6
MTS 52R105	RL105 4 ways sleeve block Maxitower 52	94.8
MTS 52R105H	RL105 3 ways w/hoist support sleeve block - Maxitower 52	103.1
MTS 52K01	Guy-wires fastening to sleeve block - Set of 4 pcs	6.3





RL105A ANTI-TORSION  
LOAD TABLE / FORK CONNECTION

CANTILEVER LOAD TABLE / FORK CONNECTION

SPAN m	UNIFORMLY DISTRIBUTED LOAD			CENTRE POINT LOAD	
	q am.- kg/m	q am.- kg	defl.- mm	F am. - kg	defl.- mm
1	4750	4750	0	3994	0
2	1976	3952	1	3018	1
3	1126	3377	2	2418	4
4	734	2936	4	2005	7
5	517	2583	7	1702	12
6	382	2290	11	1467	18
7	292	2043	16	1279	26
8	229	1831	22	1124	34
9	183	1644	29	994	44
10	148	1479	36	882	54

SPAN m	UNIF. DISTRIBUTED LOAD			CENTRE POINT LOAD			THIRD POINT LOAD			QUARTER POINT LOAD			FIFTH POINT LOAD		
	point load kg/m	full load kg	central deflection mm	point load kg	full load kg	central deflection mm	point load kg	full load kg	central deflection mm	point load kg	full load kg	central deflection mm	point load kg	full load kg	central deflection mm
3	3471	10414	1	9669	9669	1	5207	10414	1	3471	10414	1	2603	10414	1
4	2596	10386	1	8615	8615	2	5009	10018	2	3462	10386	2	2596	10386	2
5	2072	10358	3	7394	7394	3	4619	9238	3	3398	10193	4	2590	10358	3
6	1722	10330	5	6461	6461	5	4273	8546	5	3190	9569	6	2574	10294	6
7	1472	10303	8	5735	5735	7	3841	7683	8	3002	9005	9	2441	9764	9
8	1284	10275	12	5149	5149	9	3484	6969	11	2827	8482	12	2222	8887	12
9	1139	10247	16	4663	4663	12	3184	6368	14	2587	7761	16	2006	8024	16
10	990	9896	22	4255	4255	15	2927	5854	18	2340	7019	20	1826	7303	20
11	819	9005	27	3905	3905	19	2704	5409	22	2132	6395	24	1672	6689	24
12	687	8246	32	3603	3603	23	2509	5019	27	1954	5863	29	1540	6160	29
13	584	7591	38	3342	3342	27	2337	4674	32	1801	5403	34	1425	5698	34
14	501	7020	44	3108	3108	32	2183	4366	37	1667	5000	40	1323	5292	40
15	434	6516	50	2899	2899	37	2045	4090	43	1548	4645	46	1232	4926	46
16	379	6068	57	2711	2711	42	1920	3839	50	1442	4326	52	1151	4603	53
17	333	5666	65	2540	2540	48	1805	3611	57	1346	4039	59	1078	4311	60
18	295	5302	73	2387	2387	54	1704	3408	65	1262	3786	66	1011	4046	68
19	261	4968	81	2244	2244	61	1608	3216	72	1183	3548	74	951	3803	76
20	234	4671	90	2113	2113	68	1519	3038	81	1111	3332	82	895	3580	84
21	209	4392	99	1995	1995	75	1439	2877	90	1047	3140	91	844	3376	93
22	188	4135	109	1884	1884	83	1362	2723	99	986	2957	100	797	3190	102
23	169	3891	119	1779	1779	91	1290	2580	109	930	2791	109	752	3010	112
24	152	3660	129	1681	1681	100	1222	2443	119	877	2631	119	711	2843	122
25	138	3452	139	1589	1589	109	1160	2320	130	828	2483	129	672	2687	133
26	125	3254	150	1503	1503	118	1100	2201	141	781	2344	139	634	2538	143
27	114	3069	162	1421	1421	128	1044	2088	152	737	2210	150	601	2403	155
28	103	2897	173	1343	1343	138	991	1981	164	697	2090	162	568	2272	166
29	94	2730	185	1270	1270	149	940	1880	177	658	1974	173	537	2149	179
30	86	2573	198	1200	1200	160	891	1783	189	621	1863	185	508	2031	191
31	78	2424	210	1133	1133	171	845	1690	203	586	1757	198	480	1919	204
32	71	2283	223	1069	1069	183	801	1602	216	552	1657	210	453	1812	217
33	65	2148	237	1008	1008	196	759	1517	231	520	1561	224	427	1710	231

Load table has been prepared in accordance with UNI ENV 1999-1-1 (Eurocode 9). When calculating the allowable loads it is assumed that the load is suspended from the bottom chord and the truss is supported from the top chord at each end.

The values shown in the table are the allowable static loads that can be applied to the truss. This is the live load or the payload. The self weight of the truss has been taken into account when calculating the values in the table.

It should be noted that this is idealised loading conditions and the User shall re-analyze the truss for the loading conditions which prevail for the application being considered.

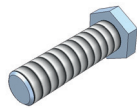
# RL105A SYSTEM

High Load structures can be extended using specially designed accessories for suspension, transportation and reinforcement, including hooks, corner frames and skates. Only forked connectors with steel junction pins are used. Designed to withstand the highest stress and load levels, they offer guaranteed compatibility with the whole series. Gates are short, flat section High Load elements generally used when putting together corners or tower sleeve blocks. code numbers shown under the pictures refer to the shape and make it easy to identify.

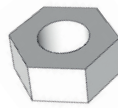
## RL105A / CONNECTIONS



**RL105X4**  
HL 105 rectangular  
4 ways corner



**KHLB**  
M20 screw bolt  
+ conical spring  
washer



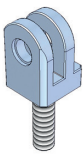
**KHLD**  
M20 screw nut  
+ conical spring  
washer



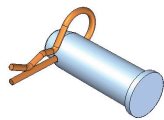
**KHLF**  
Female fork  
connector complete



**KHLG**  
M20 Lifting Eye



**KHLM**  
Male fork  
connector complete



**KHLP**  
Cylindrical pin  
+ safety R-clip 3 mm.



**KHL180A**  
180° double fork  
aluminium connector



**KHL180S**  
180° double fork  
steel connector



**KHL90LA**  
90° double fork  
aluminium  
connector, left



**KHL90LS**  
90° double fork steel  
connector, left



**KHL90RA**  
90° double fork  
aluminium  
connector, right



**KHL90RS**  
90° double fork steel  
connector, right

**TZHL01**  
FL assembly kit



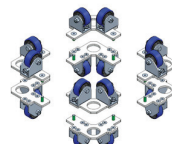
## RL105A / ACCESSORIES



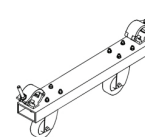
**C067RL**  
Pickup bar RL105



**MTS52K01**  
Guy-wires fastening  
to sleeve block  
Set of 4 pcs



**MTS52K02**  
Wheel set for sleeve  
block - Set of 8 pcs

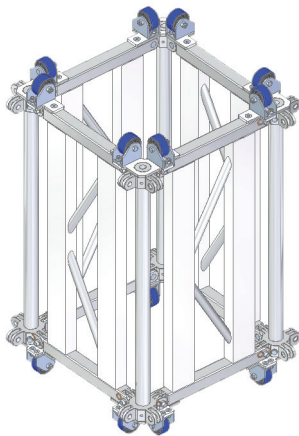
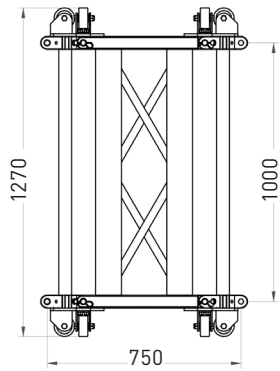
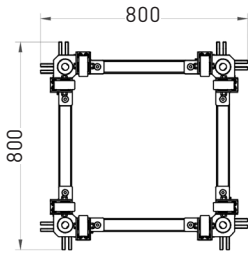


**RL105TT**  
RL 105 skate set  
2 pcs

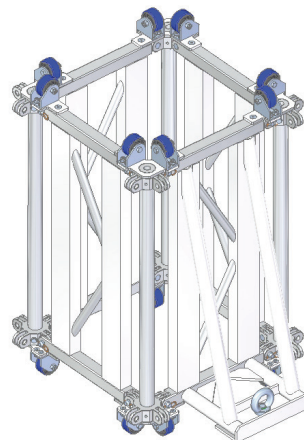
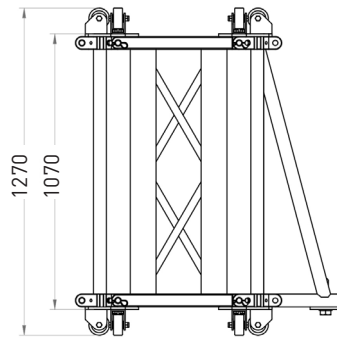
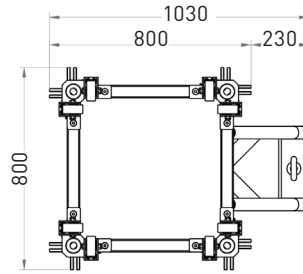


# RL105A / SLEEVE BLOCKS

MTS52R105



MTS52R105H



RL105X4

