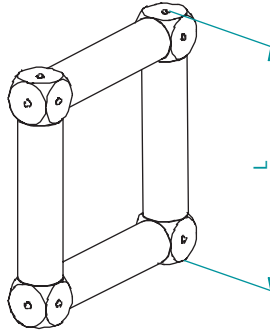
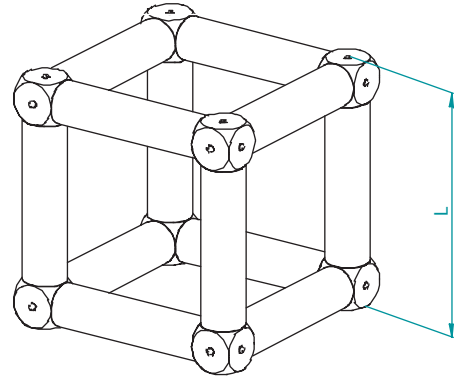


K2

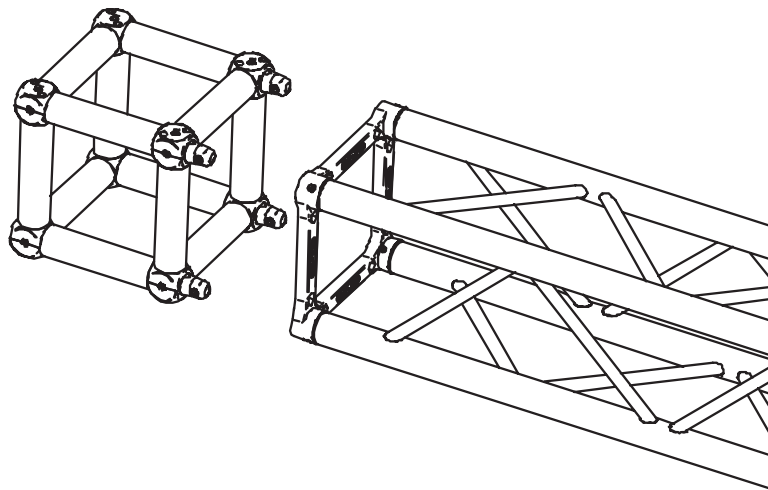


K4



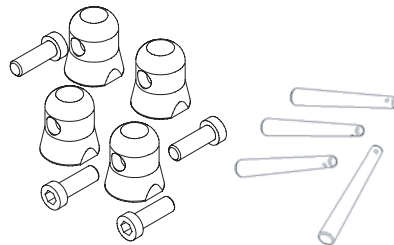
K8

| | | | | | | | | | |
|-------------|--------|--------|--------|--------|--------|--------|--------|--------|--------|
| | FX25K2 | FX30K2 | FX40K2 | FX25K4 | FX30K4 | FX40K4 | QX25K8 | QX30K8 | QX40K8 |
| L [cm] | 25 | 29 | 40 | 25 | 29 | 40 | 25 | 29 | 40 |
| Weight [Kg] | 1.2 | 1.3 | 1.5 | 3.3 | 3.3 | 4.5 | 7.0 | 8.0 | 12.3 |



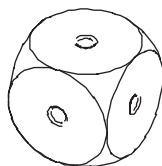
HALF COUPLER

Weight: 150 g
11SMnPb37 steel



QXKFC

Weight: 930 g
11SMnPb37 steel



MAIN CUBE

Side size: 50 mm
Weight: 307 g
Alluminium alloy: EN- AW 6021