

Flyintower

7.5-500 & 9.5-600

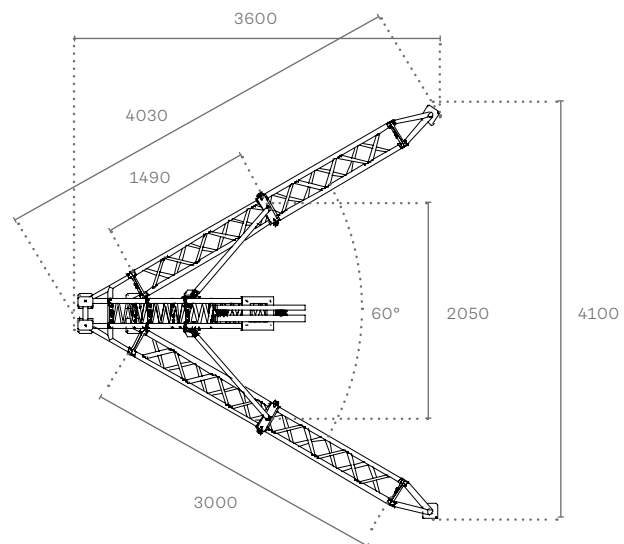
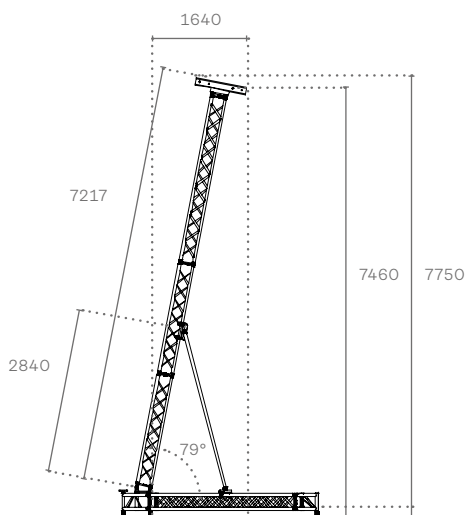


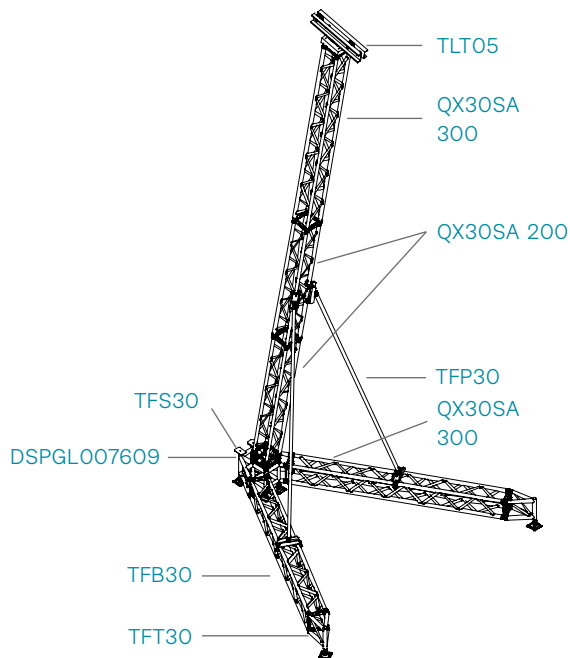
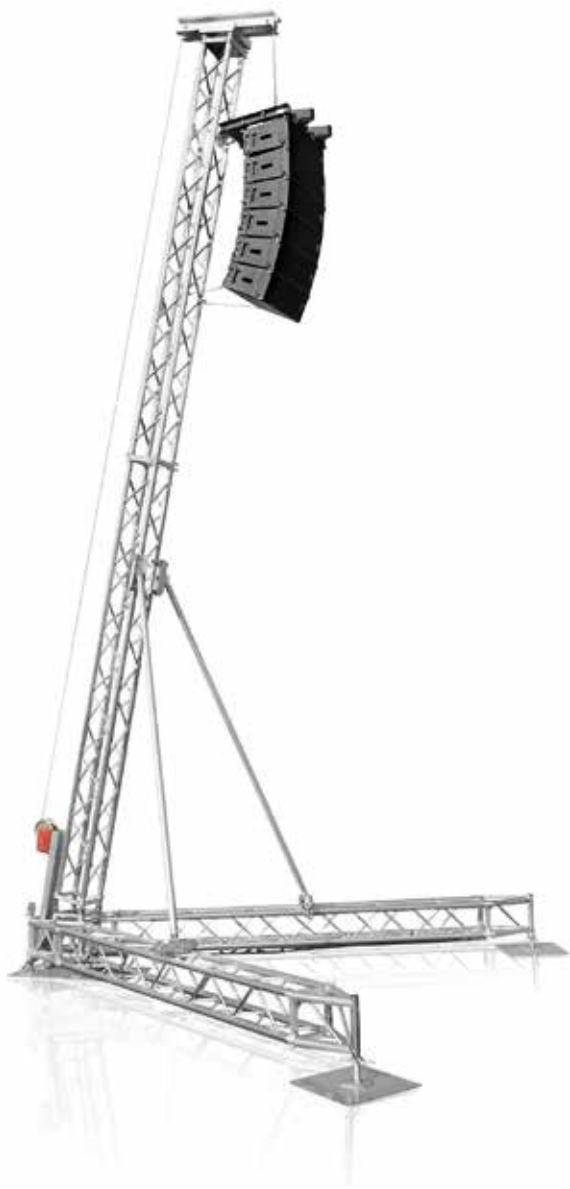
Support Tower for audio systems consisting of a QX30SA structure, suitable for lifting loads of up to 600 kg to a height of 9.5 metres.

To lift the loads, anchoring is provided for an electric chain hoist. Alternatively they may be lifted manually by adding a cable winch device.

Flyintower	7.5-500	9.5-600
Maximum tower height	→ 7.5 m	→ 9.5 m
Weight	→ 160 kg	→ 225 kg
Maximum surface area of loudspeakers	→ 2.5 m ² front 2.0 m ² back	→ 2.5 m ² front 2.0 m ² back
Maximum wind speed	→ 70 km/h	→ 70 km/h
Required ballast weight	→ 170 kg	→ 130 kg
Maximum lifting load capacity	→ 500 kg	→ 600 kg

Flyintower 7.5-500





Flyintower	7.5-500	9.5-600
Base	→ TFB / 1	→ TFB / 1
Tower truss	→ QX30SA 300/1 QX30SA 200/2	→ QH30SA 300/3
Base truss	→ QX30SA 300/2	→ QH30SA 300/2
Diagonals	→ TFP30 / 2	→ TFP40 / 2
Base ends / terminals	→ TFT30 / 2	→ TFT30 / 2
Top	→ TLT05 / 1	→ TLT05 / 1
Connection system	→ QXFC	→ QXFC

Flyintower 9.5-600

