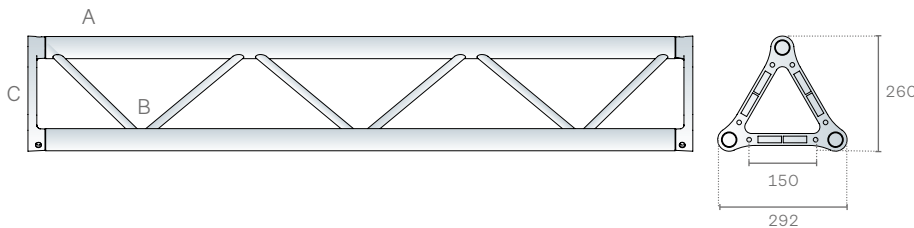


TH30SA

Anti-torsion



The TH30SA triangular truss from LITEC includes this unique end-plate design, thereby making it the right choice for your Light and Medium-duty applications and providing extreme durability for rental applications. The 48 x 3 mm main chords also make it compatible with the most popular scaffolding clamping systems. Constructed from extruded 6082 aluminium alloy, it features high load bearing capacity and twist-resistant strength.



Chords A
Extruded tube \varnothing 49 x 3 mm
EN AW – 6082 T6

Diagonals B
Extruded tube \varnothing 20 x 2 mm
EN AW – 6082 T6

End C
Aluminium casting plate
EN AC – 42200 KT6

Connection systems
QXFC: quick-fit kit
QXSM10: bolt connection kit

Linear elements

code	cm	kg
TH30SA010M5	29 x 26 x 10.5	2.3
TH30SA021	29 x 26 x 21	2.6
TH30SA025	29 x 26 x 25	2.7
TH30SA050	29 x 26 x 50	3.7
TH30SA100	29 x 26 x 100	5.4
TH30SA150	29 x 26 x 150	7.2
TH30SA200	29 x 26 x 200	9.0
TH30SA250	29 x 26 x 250	10.7
TH30SA300	29 x 26 x 300	12.5
TH30SA350	29 x 26 x 350	14.2
TH30SA400	29 x 26 x 400	16.0

Corners and fittings

code	cm	kg
TH30SAL2045	100 x 100 x 26	6.9
TH30SAL2060	100 x 100 x 26	7.0
TH30SAL2090	50 x 50 x 26	4.4
TH30SAL2090E	50 x 50 x 29	4.5
TH30SAL2120	50 x 50 x 26	4.6
TH30SAL3L	50 x 50 x 50	6.5
TH30SA3LU	50 x 50 x 50	6.5
TH30SAL3RU	50 x 50 x 50	6.3
TH30SAT3	50 x 50 x 26	5.5
TH30SAT3F	29 x 50 x 50	5.8
TH30SAT3FU	29 x 50 x 50	5.5
TH30SAT4	50 x 50 x 50	7.5
TH30SAT4FU	50 x 50 x 50	7.8
TH30SAT4LU	50 x 50 x 50	7.8
TH30SAX4	50 x 50 x 26	6.2
TH30SAX5	50 x 50 x 50	8.4
TH30SA5NU	50 x 50 x 50	8.6
TH30SAX6	50 x 50 x 50	9.3



Load table / Spigot connection

SPAN	Unif. distributed load			Centre point load			Third point load			Quarter point load			Fifth point load		
	Point load	Full load	Central deflection	Point load	Full load	Central deflection	Point load	Full load	Central deflection	Point load	Full load	Central deflection	Point load	Full load	Central deflection
m	kg/m	kg	mm	kg	kg	mm	kg	kg	mm	kg	kg	mm	kg	kg	mm
2	1070	2141	3	1093	1093	2	820	1639	3	547	1640	2	455	1822	3
3	483	1450	6	725	725	5	544	1087	6	362	1087	6	302	1208	6
4	270	1079	10	540	540	8	405	809	11	270	809	10	225	899	10
5	171	855	16	427	427	13	321	641	17	214	641	15	178	712	16
6	117	704	23	352	352	19	264	528	24	176	528	22	147	586	24
7	85	595	32	297	297	26	223	446	32	149	446	30	124	496	32
8	64	511	42	256	256	34	192	384	42	128	384	40	107	426	42
9	50	446	53	223	223	43	167	334	54	111	334	50	93	372	53
10	39	392	65	196	196	54	147	294	67	98	294	62	82	327	66
11	32	348	79	174	174	66	130	261	81	87	261	76	72	290	80
12	26	310	94	155	155	79	116	232	96	77	232	90	65	258	95
13	21	277	111	139	139	93	104	208	113	69	208	107	58	231	112
14	18	248	129	124	124	109	93	186	131	62	186	124	52	207	130
15	15	222	149	111	111	127	83	167	151	56	167	143	46	186	150
16	13	200	170	100	100	146	75	150	173	50	150	164	39	166	171









Load table has been prepared in accordance with din4113 and DIN18800. When calculating the allowable loads it is assumed that the load is suspended from the bottom chord and the truss is supported from the top chord at each end. The values shown in the table are the allowable static loads that can be applied to the truss. This is the live load or the payload. The

self-weight of the truss has been taken into account when calculating the values in the table. It should be noted that this are idealized loading conditions and the User shall re-analyze the truss for the loading conditions which prevail for the application being considered.





TH30SA System

To further enhance the standard products, LITEC offers a wide range of corners, connections and accessories useful for many different applications and needs. "Quick connect" or "nult & bolt connect". End-plated trusses allow to use two different systems of connection. The quick-fit system is certainly the most wide-spread and mainly used when the structure is frequently assembled and dismantled. In case of permanent installations, on the other hand, a more economical bolt connection system may be used. Our plate is made in such a way that bolts may be completely inserted so that there are no edges or external protuberances which could damage canvases or other fabrics or which might simply be unaesthetic on certain structures.

Connections

					
<p>KSG Litetruss aluminium spigot, set of 10</p>	<p>KCP R-spring, set of 100</p>	<p>KSP Steel pin, set of 10</p>	<p>K370 Half truss spigot + 1 steel pin + 1 R-spring (not for Dado)</p>	<p>KSF Threaded pin, set of 12</p>	<p>KCF5 Kit for vert. connec incl. bolts, spigots and accessories</p>
					
<p>QXFC Quick connection set</p>	<p>QXSM10 Bolt connection set for 30-40 series</p>				

Accessories

				
<p>FP30 Universal 29 cm truss floor plate (30 x 30 cm)</p>	<p>FP30M Universal 29 cm truss large floor plate (50x50 cm)</p>	<p>CO30WB 29 cm wall bracket W/half couplers</p>	<p>CBT3040 2 points Bridle Hook for 29/40 cm truss</p>	
				
<p>CL2D50 Transport clip. Plastic casting for truss stacking. Fits 48 - 51 mm tube</p>	<p>QU3040H050 30-40 Special Truss L=050 with hoist support</p>	<p>CO30 Bar hook for 29 cm truss</p>		

Corners & fittings



TH30SAL2045
ST 29 cm triangular
2 way 45° corner



TH30SAL2060
ST 29 cm triangular
2 way 60° corner



TH30SAL2090
ST 29 cm triangular
2 way 90° corner



TH30SAL2090E
ST 29 cm triangular
2 ways 90° corner, ext. vertex



TH30SAL2090I
ST 29 cm triangular 2 way 90°
corner, int. vertex



TH30SAL2120
ST 29 cm triangular
2 way 120° corner



TH30SAL2135
ST 29 cm triangular
2 way 135° corner



TH30SAL3L
ST 29 cm triangular
3 way corner left



TH30SAL3R
ST 29 cm triangular
3 way corner right



TH30SAT3
ST 29 cm triangular
3 way tee



TH30SAT4
ST 29 cm triangular
4 way tee



TH30SAX4
ST 29 cm triangular
4 way cross



TH30SAX5
ST 29 cm triangular
5 way cross



TH30SAX6
ST 29 cm triangular
6 way cross



TU30BHH
Truss Hinge 29 cm Triangular