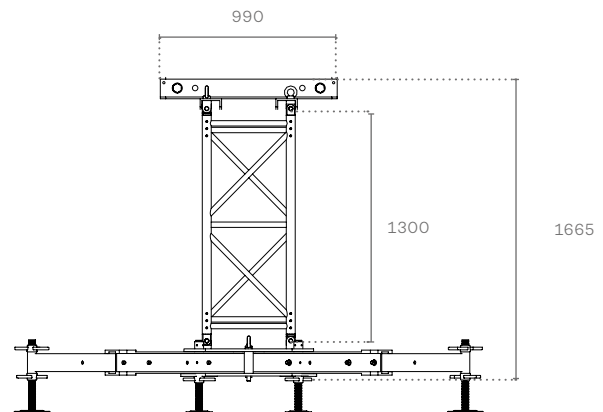
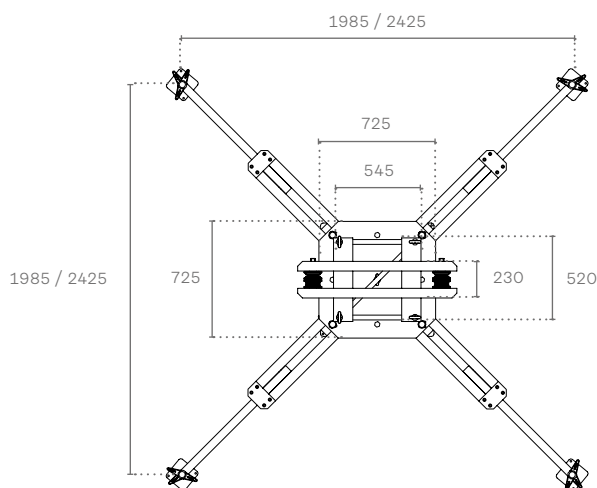


Maxitower 52



For lifting where high performance is needed. This model also comes in a compact-base Maxitower 52E version suitable for indoor use. The base can take QL40A and QL52A series trusses. The four foot bars are telescopic, positionable, individually adjustable and extractable.

	MT52	MT52E
Maximum tower height	→ 15 m	→ 12 m
Lifting system	→ chain hoist	→ chain hoist
Base module weight with top (excluding sleeve block and legs)	→ 110 kg	→ 52 kg
Vertical main truss	→ QL52A	→ QL52A
Compatible trusses (with suitable sleeve block)	→ FL52 / FL76 / QL40A / QL52A / RL76A	
Base dimensions	→ 73 x 73 cm	→ 52 x 52 cm
Volume	→ 0.84 m ³	→ 0.29 m ³
Maximum lifting load capacity	→ max 3000 kg	→ max 3000 kg





Maxitower 52

The system uses twist-resistant vertical 40 or 52 components, and comes complete with stabilization, motor coupling, hanging and safety accessories.

The MT52 tower is composed of a base, extending stabilizers (that cover a maximum floor area of

2.4 m x 2.4 m), a main tower body that reaches up to 15m in height, a top section with pulleys for electric chain hoists, and a modular sleeve block that can be assembled in different ways depending on application.

