

Flyintower 6-300

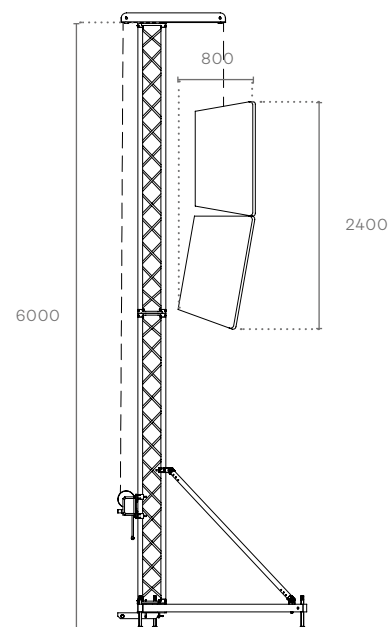
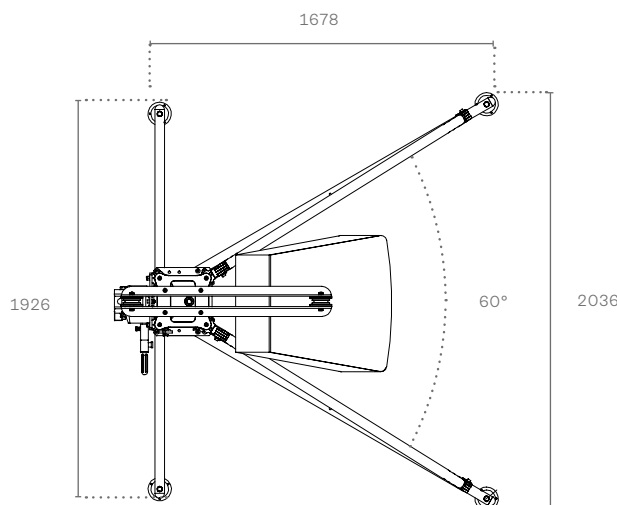


Support tower for audio systems. It is an entry-level lifter for audio support based on QX30SA trusses, suitable for loads of up to 300 kg. One of the main features is its compactness, which is particularly significant when dismantled.

Only 0.4 m³ in volume, small enough to fit entirely into a flight case.

The system is provided with manual hoist.

Maximum tower height	→ 6 m
Weight	→ 70 kg
Vertical main truss	→ QX30SA 300
Base and top module dimensions	→ 40 x 40 x 240 cm
Base and top volume	→ 0.4 m ³
Adjustable legs	→ 4
Maximum surface exposed to wind	→ 2.5 m ²
Maximum lifting load capacity	→ 300 kg



Surface of suspended mass exposed to the wind

m ²	P = 1 kN wind f. 6	P = 1,5 kN wind f. 6	P = 2 kN wind f. 6	P = 2,5 kN wind f. 6	P = 3 kN wind f. 6
0	1.00	1.00	1.00	1.14	1.29
0.25	1.29	1.44	1.60	1.75	1.90
0.5	1.90	2.05	2.20	2.35	2.51
0.75	2.51	2.66	2.81	2.96	3.11
1	3.12	3.27	3.42	3.57	3.72
1.25	3.72	3.87	4.03	4.18	4.33
1.5	4.33	4.48	4.63	4.78	-
1.75	4.94	5.09	5.24	1.00	-
2	5.55	5.70	1.00	1.00	-
2.25	6.15	1.00	1.00	1.00	-
2.5	1.00	1.00	1.00	1.00	-

Flyintower 6-300

High winds

Instructions for outdoor use

Wind speed up to 13.8 m/s (force 6)

This product may only be within the following limits:

- Maximum hanging load: 300 kg
- Surface exposed to wind: < 2.5 m²
- A ballast weight > 433 Kg must be applied to the tower

Instructions for outdoor use

Wind speed between 13.8 m/s (force 6) and 20.7 m/s (force 8)

The tower may remain installed only if the following conditions are met:

- Hanging load must be removed
- A ballast weight > 250 kg must be applied to the tower

Instructions for indoor use

- The tower may be used with hanging loads up to 400 kg and with a ballast weight > 100 kg.

