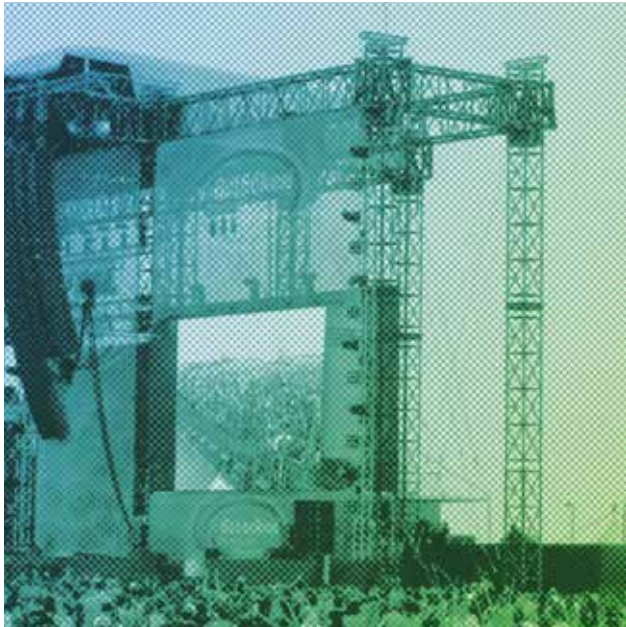


S21-H15-L12,000



LITEC has deigned the MyT LED screen ground support to fly very heavy screens. The load bearing capacity is 12,000 kg on a maximum height of 20 m.

LED Screen Ground Supports S21-H15-L12,000

Span	→	21 m
Height	→	15 m
Uniformly distributed load UDL *	→	12000 kg
Towers	→	Maxitower 85
Main trusses	→	MyT

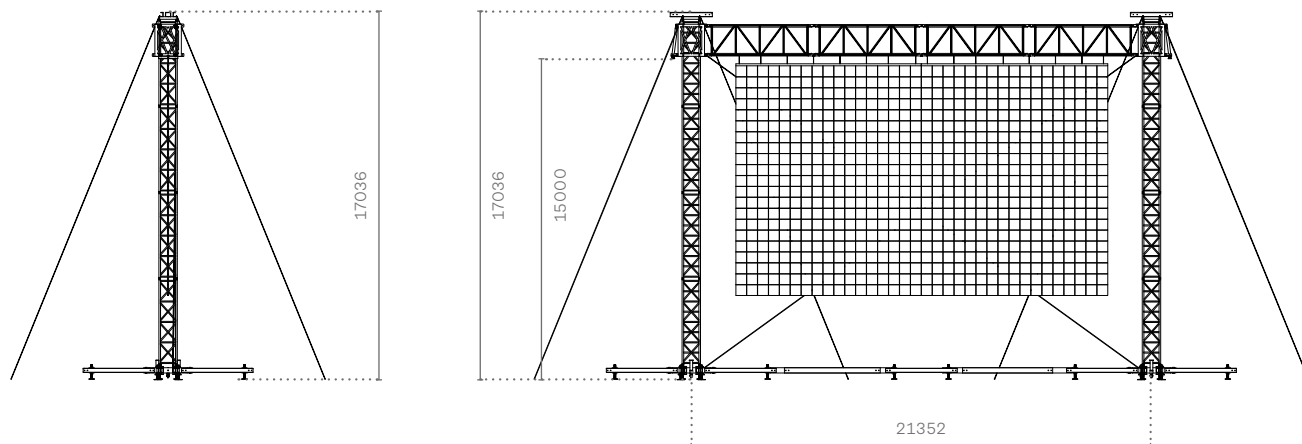
* Indicative loading data for use in environments without wind. For details and further information, please consult the technical specifications or contact our engineering department or distributors.

Due to the complex interaction of forces resulting from screen surface, wind speeds, system weight and required screen height, each system is unique with respect to the calculation of the complete construction.

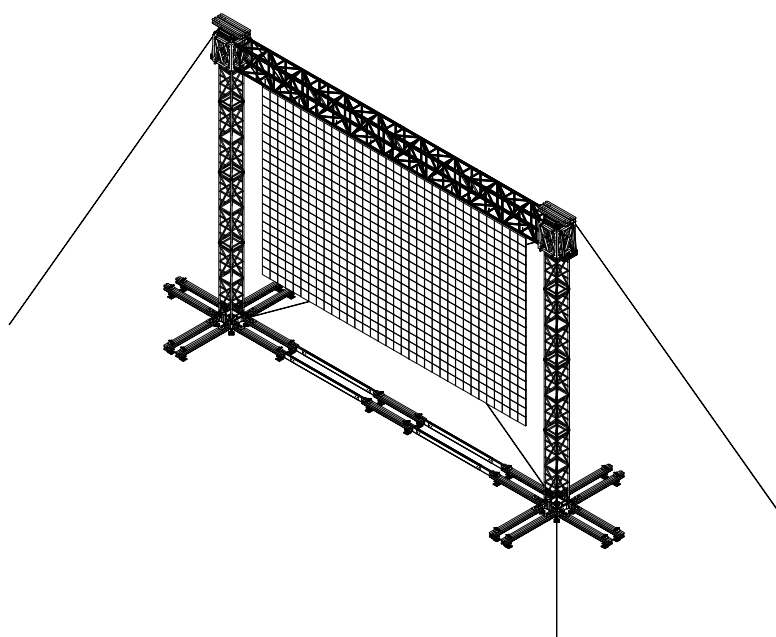
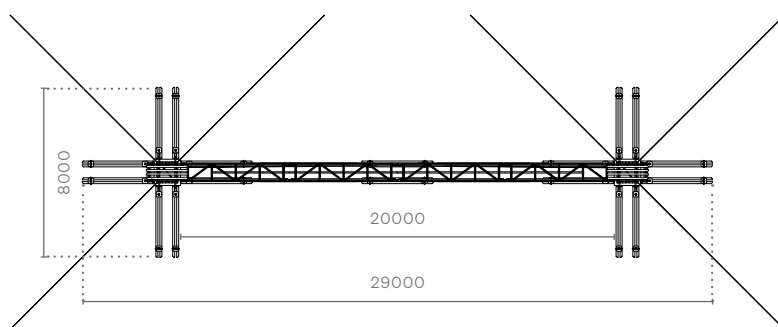
The examples and data shown on these pages are necessarily indicative owing to the extreme variability of the conditions in which the structures may be assembled. Each installation must be provided with a suitable quantity of ballast, as shown on the product certificates.

This line of structures was created in compliance with standards EN 1991 - Eurocode 1, EN 1999 Eurocode 9, EN 13814, EN 13782, DIN 4112, DIN 4113-1, DIN 4113-1/A1, DIN 4113-2.

Use of these systems is governed by laws which vary according to the country they are assembled in. They must be put together in compliance with the local regulations in force.



LED screen
ground supports
S21-H15-L12,000



Screen supports for a wide range of applications can be configured using your products in stock.

To request assistance on our LED Screen Ground Supports, please contact our engineering office, who will create a configuration to meet your technical requirements.