

MyT Folding Steroid



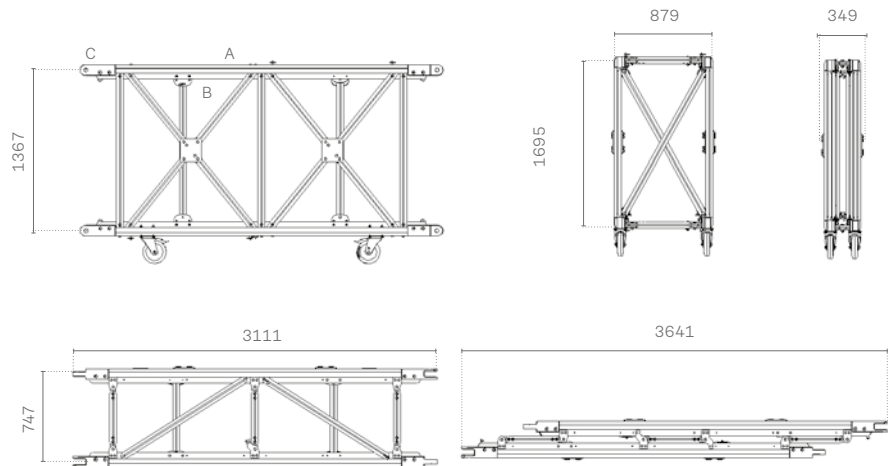
The MyT is a unique truss created from ultra-high strength EN AW-7003 aluminium alloy and benefits from an entirely bolted construction (no welded parts). For ease of transportation and handling, it is equipped with 4 large robust rubber wheels that allow the truss to be moved easily in many ground conditions. The MyT corner block is made from steel and is engineered to be obtain the maximum load capacity from the truss in any configuration.

Chords A
Extruded aluminium
EN AW-7003 T6

Diagonals B
Extruded aluminium
EN AW-7003 T6

Ends C
Aluminium forks connector
EN AW-7003 T6

Connection system
11SMnPb37



Linear elements

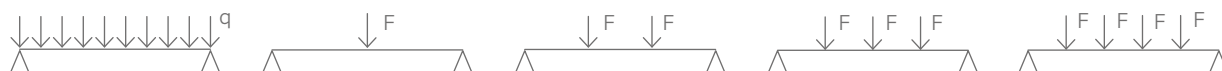
| code | cm | kg |
|--------------|-------------------|-----|
| TF150M-30M-A | 84 x 146 x 300 | 326 |
| TF150M-25M-A | 84 x 146 x 250 | 300 |
| TF150M-20M-A | 84 x 146 x 200 | 230 |
| TR150-C4 | 150 x 150 x 136.7 | 995 |

Cantilever load table / Fork connection

| SPAN | Uniformly distributed load | | | Centre point load | |
|------|----------------------------|--------|----|-------------------|----|
| | m | kg / m | kg | mm | mm |
| 1 | 15199 | 7600 | 0 | 7451 | 0 |
| 2 | 4871 | 7307 | 0 | 6906 | 0 |
| 3 | 2813 | 7038 | 0 | 6435 | 1 |
| 4 | 1938 | 6782 | 1 | 6025 | 2 |
| 5 | 1455 | 6547 | 1 | 5668 | 3 |



Load table / Fork connection



| SPAN | Unif. distributed load | | | Centre point load | | | Third point load | | | Quarter point load | | | Fifth point load | | |
|------|------------------------|-----------|--------------------|-------------------|-----------|--------------------|------------------|-----------|--------------------|--------------------|-----------|--------------------|------------------|-----------|--------------------|
| | Point load | Full load | Central deflection | Point load | Full load | Central deflection | Point load | Full load | Central deflection | Point load | Full load | Central deflection | Point load | Full load | Central deflection |
| m | kg/m | kg | mm | kg | kg | mm | kg | kg | mm | kg | kg | mm | kg | kg | mm |
| 2 | 7671 | 15341 | 0 | 14332 | 14332 | 0 | 7324 | 14648 | 0 | 4938 | 14811 | 0 | 3729 | 14913 | 0 |
| 4 | 3792 | 15168 | 0 | 13303 | 13303 | 0 | 6929 | 13853 | 0 | 4720 | 14159 | 0 | 2587 | 14343 | 0 |
| 6 | 2499 | 14995 | 1 | 12396 | 12396 | 1 | 6565 | 13129 | 1 | 4514 | 13537 | 1 | 3451 | 13802 | 1 |
| 8 | 1853 | 14832 | 2 | 11590 | 11590 | 2 | 6228 | 12457 | 2 | 4319 | 12956 | 2 | 3321 | 13282 | 2 |
| 10 | 1466 | 14659 | 3 | 10877 | 10877 | 4 | 5916 | 11835 | 4 | 4136 | 12406 | 4 | 3197 | 12783 | 4 |
| 12 | 1207 | 14485 | 6 | 10224 | 10224 | 7 | 5626 | 11254 | 6 | 3961 | 11886 | 6 | 3077 | 12314 | 6 |
| 14 | 1022 | 14312 | 9 | 9633 | 9633 | 10 | 5353 | 10703 | 9 | 3795 | 11386 | 9 | 2962 | 11845 | 9 |
| 16 | 884 | 14139 | 14 | 9093 | 9093 | 14 | 5097 | 10194 | 14 | 3636 | 10907 | 14 | 2851 | 11407 | 14 |
| 18 | 776 | 13976 | 20 | 8594 | 8594 | 19 | 4855 | 9710 | 19 | 3484 | 10459 | 19 | 2745 | 10979 | 19 |
| 20 | 690 | 13802 | 27 | 8134 | 8134 | 26 | 4627 | 9254 | 25 | 3339 | 10017 | 25 | 2641 | 10571 | 25 |
| 22 | 620 | 13629 | 36 | 7705 | 7705 | 33 | 4410 | 8820 | 32 | 3200 | 9599 | 33 | 2541 | 10166 | 33 |
| 24 | 561 | 13456 | 47 | 7305 | 7305 | 42 | 4204 | 8408 | 41 | 3065 | 9197 | 42 | 2444 | 9779 | 42 |
| 26 | 511 | 13282 | 60 | 6930 | 6930 | 51 | 4007 | 8014 | 51 | 2936 | 8808 | 52 | 2351 | 9403 | 53 |
| 28 | 465 | 13007 | 74 | 6577 | 6577 | 62 | 3819 | 7638 | 62 | 2811 | 8434 | 63 | 2260 | 9038 | 64 |
| 30 | 421 | 12620 | 90 | 6244 | 6244 | 75 | 3639 | 7277 | 74 | 2691 | 8072 | 76 | 2170 | 8683 | 78 |
| 32 | 382 | 12232 | 108 | 5928 | 5928 | 89 | 3466 | 6932 | 88 | 2574 | 7723 | 91 | 2085 | 8337 | 93 |
| 34 | 338 | 11509 | 125 | 5628 | 5628 | 104 | 3300 | 6598 | 104 | 2461 | 7382 | 107 | 2000 | 8000 | 109 |
| 36 | 294 | 10561 | 141 | 5327 | 5327 | 120 | 3139 | 6277 | 121 | 2351 | 7053 | 124 | 1917 | 7672 | 128 |
| 38 | 255 | 9682 | 157 | 4882 | 4882 | 135 | 2984 | 5967 | 139 | 2245 | 6733 | 144 | 1838 | 7351 | 148 |
| 40 | 222 | 8876 | 175 | 4472 | 4472 | 151 | 2834 | 5669 | 159 | 2141 | 6421 | 165 | 1759 | 7038 | 170 |

Load table has been prepared in accordance with UNI ENV 1999-1-1 (Eurocode 9). When calculating the allowable loads it is assumed that the load is suspended from the bottom chord and the truss is supported from the top chord at each end. The values shown in the table are the allowable static loads that

can be applied to the truss. This is the live load or the payload. The self weight of the truss has been taken into account when calculating the values in the table. It should be noted that this are idealised loading conditions and the User shall re-analyze the truss for the loading conditions which prevail for the application being considered.